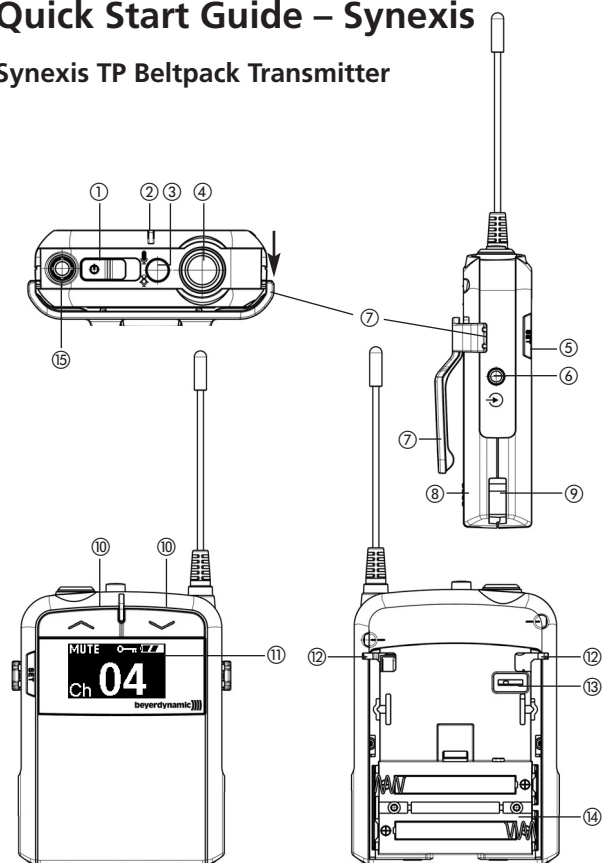


Quick Start Guide – Synexis

Synexis TP Backpack Transmitter

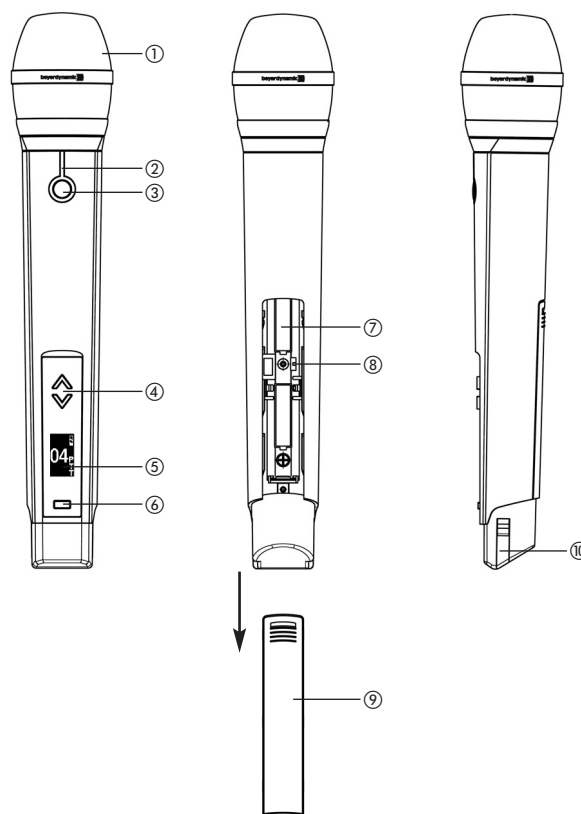


- ① On/off switch
- ② LED to display operating or charging status (refer to the Synexis charger manuals)
- ③ Push-button to mute the microphone
- ④ Microphone connection, 4-pin mini XLR
- ⑤ Set button
- ⑥ Line-In input to connect an audio source such as MP3 player, mini stereo jack (3.5 mm)
- ⑦ Belt clip
- ⑧ Lid of the battery compartment
- ⑨ Charging contacts on the right and left hand side
- ⑩ Channel selector buttons
- ⑪ OLED display
- ⑫ Mounting for strap
- ⑬ Gain switch, 3 stages Hi/Mid/Low
- ⑭ Battery compartment
- ⑮ Antenna

Operating instructions for Synexis TP backpack transmitter

1. Connect a microphone to the 4-pin mini XLR socket ④. Make sure the connector will correctly lock in place.
Note
In order to avoid popping noise in the Synexis RP receiver, you should connect the microphone when Synexis receiver is **turned off**.
2. Turn on the backpack transmitter with the on/off switch ①. The LED ② will illuminate blue. The selected channel and the battery status are displayed ⑪. Make sure that transmitter and receiver operate on the same channel.
3. If you wish to select a different channel, Use one of the two channel selector buttons ⑩ to select the requested channel. If you release the channel selector button ⑩, the channel will automatically be stored after approx. 3 seconds. If you would like to lock the selected channel to avoid accidental shifting, hold down the Set button ⑤ for about 3 seconds. A key symbol will be displayed ⑪. The channel is locked.
If you would like to unlock a locked channel, hold down the Set button ⑤ for about 3 seconds. The key symbol in the display ⑪ will disappear.
4. If you would like to mute the connected microphone, press the mute button ③. The LED ② will flash red. "Mute" is displayed ⑪. In order to turn off the mute function, press the mute button ③ once again.
5. You can connect an audio source (e.g. MP3 player) to the Line In input ⑥, if you want to play recordings during guided tours.
6. After use turn off the backpack transmitter with the on/off switch ①. The LED ② will go out.
7. If the battery status displays only one bar ⑪, you should recharge the transmitter or replace the alkaline batteries as soon as possible. If the transmitter is equipped with rechargeable NiMH batteries, turn it off and put it into the appropriate charger (e.g. Synexis C8 or C10). The LED ② indicates the charging status:
LED is flashing blue The batteries are being charged
LED illuminates blue The batteries are fully charged
LED is flashing red Error

Synexis TH Handheld Transmitter

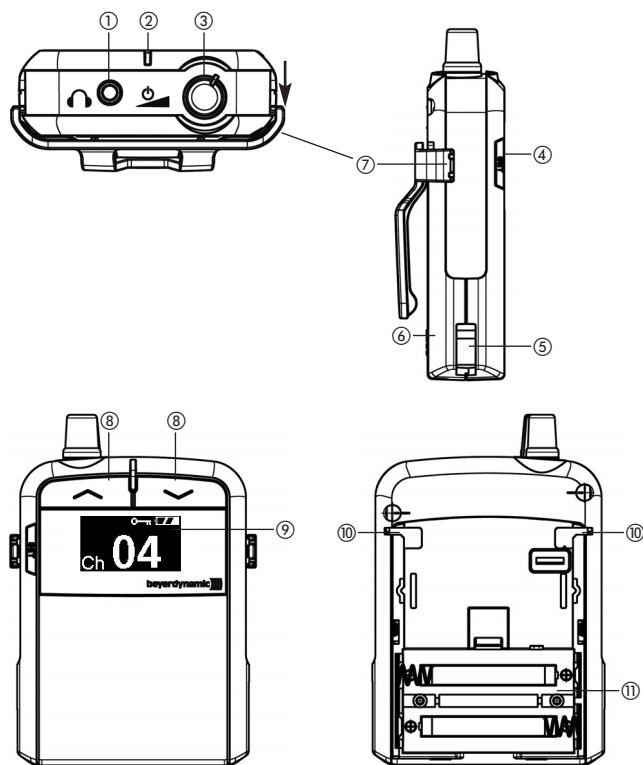


- ① Electret condenser microphone head, cardioid polar pattern
- ② LED to display mute or charging status (refer to the Synexis charger manuals)
- ③ Button with mute function
- ④ Arrow-shaped buttons for channel selection and frequency display
- ⑤ OLED display
- ⑥ On/off and Set button
- ⑦ Battery compartment
- ⑧ Gain switch Hi/Low
- ⑨ Lid of the battery compartment
- ⑩ Charging contacts on the right and left hand side

Operating instructions for Synexis TH handheld transmitter

1. Turn on the handheld transmitter by pressing the on/off button ⑥ for approx. 3 seconds.
2. If you wish to select a different channel, press the on/off button ⑥ and one of the two arrow-shaped buttons ④ simultaneously for approx. 2 seconds until the channel display ⑤ will flash. Use the upper or lower arrow-shaped button ④ to select the requested channel. The channel will automatically be stored after approx. 2 seconds. If you press briefly the on/off button ⑥, the channel will immediately be stored.
Important: Make sure that only one transmitter per channel/frequency is switched on. If two or more transmitters with the same frequencies are switched on, interference will occur.
3. There are three different mute functions available:
Push-To-Mute (PTM): Hold down the mute button ③ to mute the microphone.
Push-To-Talk (PTT): Hold down the mute button ③ to activate the microphone.
Mute Toggle (MTG): Press the button ③ briefly to switch between muted and activated microphone.
To select a different mute function, press the on/off button ⑥ and the mute button ③ simultaneously for approx. 2 seconds until the channel and mute display ⑤ will start to flash. Use the mute button ③ to select the requested mute function. After approx. 2 seconds the selected mute function will automatically be stored. If the LED ② will illuminate blue, the microphone is activated. If the LED ② will flash red, the microphone is muted.
4. After use turn off the handheld transmitter by pressing the on/off button ⑥ for approx. 3 seconds.
5. If the battery status displays only one bar ⑤, you should recharge the transmitter or replace the alkaline batteries as soon as possible. If the transmitter is equipped with rechargeable NiMH batteries, turn it off and put it into the appropriate charger (e.g. Synexis C8). The LED ② indicates the charging status:
LED is flashing blue The batteries are being charged
LED illuminates blue The batteries are fully charged
LED is flashing red Error

Synexis RP Beltpack Receiver



- ① Headphone socket, mini jack (3.5 mm)
- ② LED to display operation or charging status (refer to the Synexis charger manuals)
- ③ On/off and volume control
- ④ Set button
- ⑤ Charging contacts
- ⑥ Lid of the battery compartment
- ⑦ Belt clip
- ⑧ Channel selector buttons
- ⑨ OLED display
- ⑩ Mounting for strap
- ⑪ Battery compartment for two 1.5 V batteries or rechargeable NiMH-batteries

Operating instructions for Synexis RP beltpack receiver

1. Connect a beyerdynamic headphone with mono or stereo mini jack plug to the headphone socket ①.
2. Switch on the beltpack receiver by turning the control ③ clockwise to the right.
3. The LED ② will illuminate: blue, when a transmitter is turned on and reception available. red, when there is no transmitter turned on or no reception available.
4. Use the control ③ to set the requested volume by turning it more clockwise. **Important:** Do not set the volume too high, because listening at a high volume can damage your hearing.
5. The selected channel and the battery status are displayed ⑨. Make sure that the receiver is operated on the same channel as the transmitter. To select a different channel use one of the two channel selector buttons ⑧. If you release the channel selector button ⑧, the channel will automatically be stored after approx. 3 seconds. If you would like to lock the selected channel to avoid accidental shifting, hold down the Set button ④ for about 3 seconds. A key symbol will be displayed ⑨. The channel is locked. If you would like to unlock a locked channel, hold down the Set button ④ for about 3 seconds. The key symbol in the display ⑨ will disappear.
6. After use, switch off the receiver by turning the control ③ anti-clockwise. The LED ② will go out.
7. If the battery status displays only one bar ⑨, you should recharge the receiver or replace the alkaline batteries as soon as possible. If the receiver is equipped with rechargeable NiMH batteries, turn it off and put it into the appropriate charger (e.g. Synexis C8 or C10). The LED ② indicates the charging status: LED is flashing blue The batteries are being charged LED illuminates blue The batteries are fully charged LED is flashing red Error

Accessories for Synexis RP Beltpack Receiver

DT 1 (Order # 724.521)

- Particularly suitable for the frequent use in factory tours, tourism, museums and whenever it is important to hear acoustic warning signals.
- With elastic ear piece for different ear sizes.
- Can be worn on the left or right ear.
- 32 ohms.
- Cable length 90 cm [35.43"].
- With mini stereo jack plug (3.5 mm).



DT 2 (Order # 484.679)

- Particularly suitable for the use in interpretation applications, factory tours, with loud environmental noise and whenever binaural listening is requested.
- With adjustable headband.
- 32 ohms.
- Cable length 80 cm [31.5"].
- With mini stereo jack plug (3.5 mm).



DT 3 (Order # 484.571)

- Suitable for the same applications as DT 2, but due to neckband especially for applications where it is required to wear a helmet.
- 32 ohms.
- Cable length 80 cm [31.5"].
- With mini stereo jack plug (3.5 mm).



DT 4 (Order # 724.548)

- Minimum-cost disposable earphones for all applications regarding guided tours; especially when taking back and cleaning are to be avoided; can be kept as a souvenir.
- 32 ohms.
- Cable length 90 cm [35.43"].
- With mini stereo jack plug (3.5 mm).



Synexis IL 200 (Order # 725.161)

- Induction loop for Synexis RP beltpack receiver
- For people who are wearing hearing aids. Set hearing aid to T position
- Cable length approx. 100 cm [39.37"].
- With mini stereo jack plug (3.5 mm).

